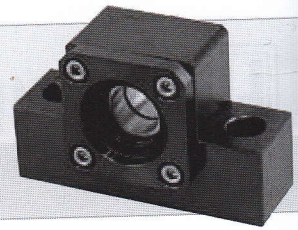
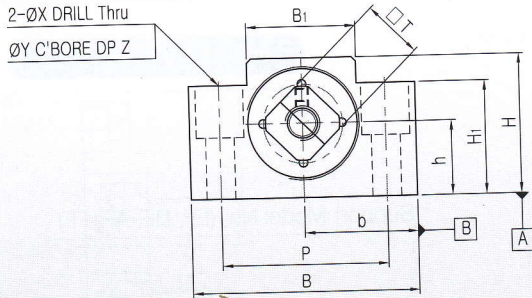


EK Type Support Unit

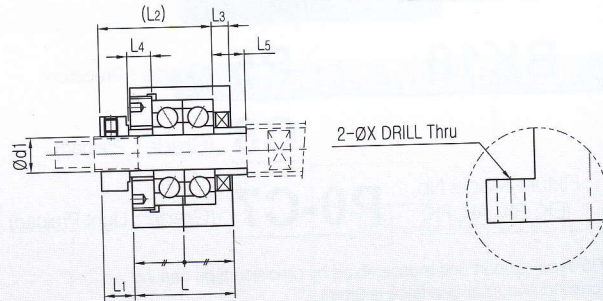
Angle Type for Fixture



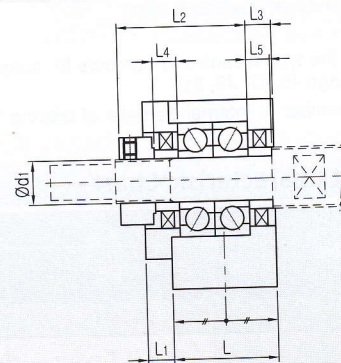
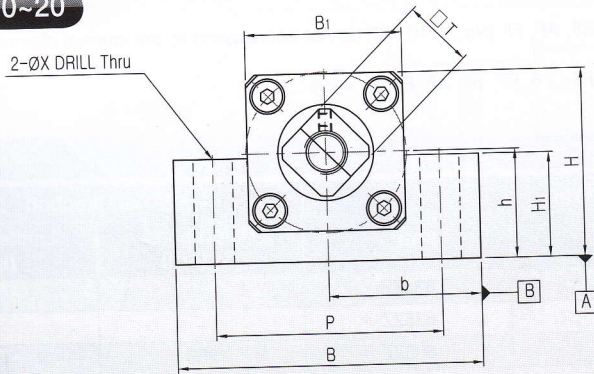
EK 6~8



EK 4, 5



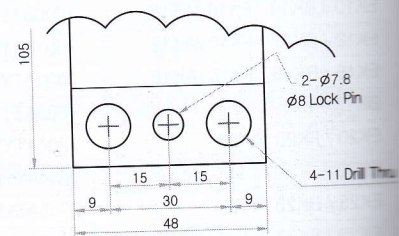
EK 10~20



Note

1. Installation can be conducted based on the surface of A and B. Please, use the spacer of accurate size when adjustment of height or length is necessary.
2. It is not allowed to disassemble the support unit as the preload of the bearing has been already controlled.
3. Precise amount of grease is filled in the support unit.
4. EK-4~EK-5 general type is used radial ball bearing and in small axial load.
5. Please refer to page 55 about bearing type and characteristic according to Support Unit grade
6. Please refer to page 60 about attachment torque of the lock nut.

EK 25 Reference



Unit : mm

Model No.	d ₁	L	L ₁	L ₂	L ₃	B	H	b±0.02	h±0.02	B ₁	H ₁	P	X	Y	Z	Collar Size		□T	Mass/g
																L ₄	L ₅		
EK4	4	15	5.5	18.5	2	34	19	17	10	18	7	26	4.5	-	-	3.5	3.5	10	50
EK5	5	16.5	6.5	19.5	3.5	36	21	18	11	20	8	28	4.5	-	-	4.5	4.5	11	68
EK6	6	20	5.5	22	3.5	42	25	21	13	18	20	30	5.5	9.5	11	5	7	12	120
EK8	8	23	7	26	4	52	32	26	17	25	26	38	6.6	11	12	5.5	7.5	14	230
EK10	10	24	6	29.5	6	70	43	35	25	36	24	52	9	-	-	5.5	5.5	16	430
EK12	12	24	6	29.5	6	70	43	35	25	36	24	52	9	-	-	5.5	5.5	19	420
EK15	15	25	6	36	5	80	50	40	30	41	25	60	11	-	-	10	10	22	530
EK20	20	42	10	50	10	95	58	47.5	30	56	25	75	11	-	-	11	11	30	1310
EK25	25	48	13	59	14	105	68	52.5	35	66	25	85	〈Refer to Drawing〉			14	14	35	1950