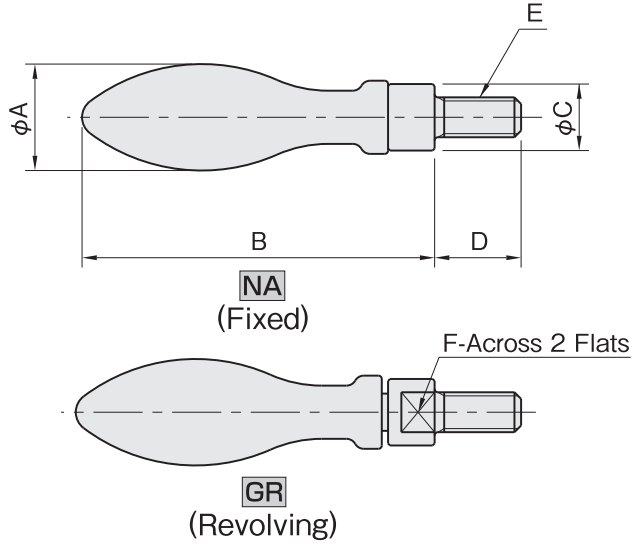




NA / GR ROUNDED HANDLES



Handle	Shank
Polypropylene plastic Black	Steel (SUM22) Chrome plated

Fixed Part Number	Revolving Part Number	A	B	C	D	E	F (GR only)	Weight (g)
NA16	GR16	16	54	10	13	M 6×1	8	18
NA20	GR20	20	67	13	15	M 8×1.25	10	30
NA25	GR25	25	86	16	18	M10×1.5	13	60
NA32	GR32	32	108	20	20	M12×1.75	17	105