

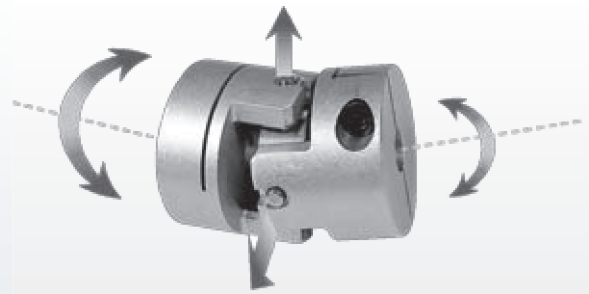
# SCJ Series

## Micro Cross Joint Coupling

The precision calibration coupling of the cross joint type, which can easily absorb eccentricity and amplitude instrumentally, is a coupling of unique structure combining both Oldham and universal joint that inhibit resisting force delicately and absorb intake tolerances, and Sungil manufactures the product by simple design in such a way that it increases resonance frequency through high rigidity and low inertia and enhances stoppage extent and responsiveness of precision position deciding instrument.

### Features

- Regular direction and reverse direction are identical and uniform revolution is available
- Has excellent durability and resistance against chemical and oil
- Bearing built in the hub and pin in the center block easily absorb large eccentricity and amplitude
- Pin and bearing are assembled in high level to minimize backlash
- Minimize the generation of resisting force with high torsion rigidity and low inertia
- Deliver control unit angle swiftly in high level
- Various sizes are available



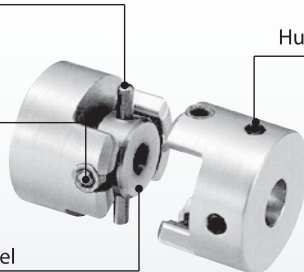
### Structure & Material

Pin : Steel

Surface Treatment :  
Electroless Nickel Coating

Bush : Dry Bearing

Center Block : Stainless Steel



Hub : Aluminum Alloy  
Surface Treatment :  
Alumite



CLAMP TYPE



SET SCREW TYPE

### Application

- Robot, X-Y Table
- Semiconductor related instruments and laser processor
- NC, MC machine tool and precision measuring instrument
- NC woodworking machinery, medical equipment and OA machine
- Optical instrument, measuring instrument and aspheric grinder

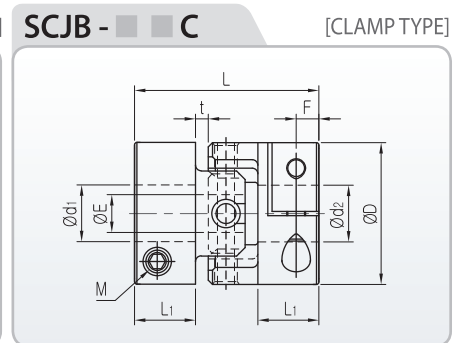
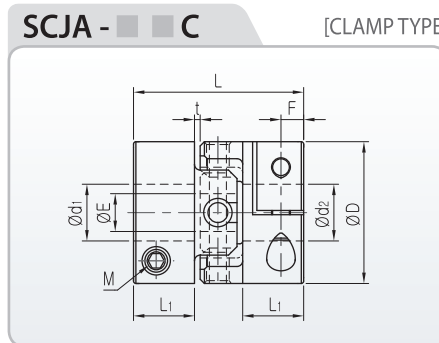
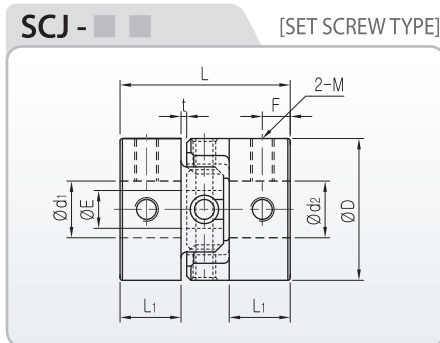
### 제품 주문방법



※ Please mark each inner diameter size.

# SCJ Series

## Micro Cross Joint Coupling



### Performance

Product Number	Fastening Bolt M	Fastening Torque (N · m)	Max. RPM (min <sup>-1</sup> )	Max Torque (N · m)	Rated Torque (N · m)	Torsional Stiffness (N · m/rad)	Moment of Inertia (kg · m <sup>2</sup> )	Mass (g)	Errors of Misalignment		
									Angle (°)	Parallel (mm)	End-Play (mm)
SCJA-15C	M2,6	1	6,000	0,5	0,25	220	3,3 × 10 <sup>-7</sup>	9	3	0,3	0
SCJA-20C	M2,6	1	6,000	1	0,5	350	1,2 × 10 <sup>-6</sup>	19	3	0,5	0
SCJA-25C	M3	1,7	6,000	2	1	800	3,3 × 10 <sup>-6</sup>	34	3	0,5	0
SCJA-32C	M4	3,5	5,000	4	2	1,000	1,1 × 10 <sup>-5</sup>	72	3	0,5	0
SCJA-40C	M5	8	4,000	10	5	1,400	3,2 × 10 <sup>-5</sup>	140	3	0,5	0
SCJB-15C	M2,6	1	6,000	0,5	0,25	200	3,5 × 10 <sup>-7</sup>	10	7	0,3	0
SCJB-20C	M2,6	1	5,000	1	0,5	300	1,3 × 10 <sup>-6</sup>	20	7	0,5	0
SCJB-25C	M3	1,7	5,000	2	1	700	3,4 × 10 <sup>-6</sup>	35	7	0,5	0
SCJB-32C	M4	3,5	4,500	4	2	950	1,2 × 10 <sup>-5</sup>	75	7	0,5	0
SCJB-40C	M5	8	3,500	10	5	1,200	3,3 × 10 <sup>-5</sup>	145	7	0,5	0
SCJ-15	M3	0,7	6,000	0,5	0,25	200	3,3 × 10 <sup>-7</sup>	9	3	0,3	0
SCJ-20	M3	0,7	6,000	1	0,5	450	1,3 × 10 <sup>-6</sup>	20	3	0,5	0
SCJ-25	M4	1,7	6,000	2	1	800	3,4 × 10 <sup>-6</sup>	35	3	0,5	0
SCJ-32	M5	4	5,000	4	2	1,000	1,2 × 10 <sup>-5</sup>	75	3	0,5	0
SCJ-40	M5	4	4,000	10	5	1,300	3,3 × 10 <sup>-5</sup>	145	3	0,5	0

### Standards & Standard Inner diameter

Product Number	Dimension						Standard Inner diameter (d <sub>1</sub> , d <sub>2</sub> ) Standard INNER Diameter (mm)										
	D	L	L <sub>1</sub>	E	t	F	3	4	5	6	6,35	8	10	11	12	14	15
SCJA-15C	15	22,4	8	2,5	0,8	3	●	●	●	●	●						
SCJA-20C	20	23,6	8	4	0,8	3		●	●	●	●	●					
SCJA-25C	25	30,6	10,5	5	1,3	3,6			●	●	●	●	●				
SCJA-32C	32	39	13,5	8	1,6	4,5				●	●	●	●	●	●	●	
SCJA-40C	40	45,6	16	10	1,9	6						●	●	●	●	●	●
SCJB-15C	15	24,2	8	2,5	1,8	3	●	●	●	●	●						
SCJB-20C	20	26,5	8	4	2,2	3		●	●	●	●	●					
SCJB-25C	25	33,5	10,5	5	2,8	3,6			●	●	●	●	●				
SCJB-32C	32	43	13,5	8	3,6	4,5				●	●	●	●	●	●	●	
SCJB-40C	40	51	16	10	4,5	6						●	●	●	●	●	●
SCJ-15	15	22,4	8	2,5	0,8	3,8	●	●	●	●	●						
SCJ-20	20	23,6	8	4	0,8	3,8		●	●	●	●	●					
SCJ-25	25	30,6	10,5	5	1,3	5			●	●	●	●	●				
SCJ-32	32	39	13,5	8	1,6	6,5				●	●	●	●	●	●	●	
SCJ-40	40	45,6	16	10	1,9	8						●	●	●	●	●	●

- INNER diameter INCH type is also available
- Non standard inner diameter product is also available
- INNER diameter key type is also available
- We recommend that tolerance of shaft is H7.