

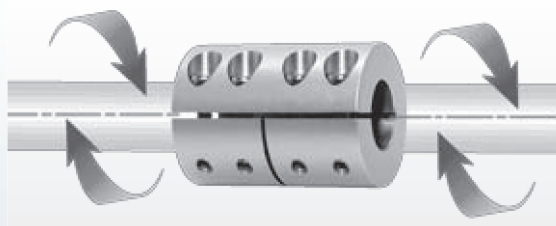
SRG Series

Miniature Rigid Coupling

The compact accurate RIGID COUPLING of SI is one-piece structure. RIGID COUPLING can be used as joint to connect with two shafts. The major characteristic of RIGID COUPLING is that it provides perfect efficiency at any condition that is low and high speed and high torque but that is not flexible. RIGID COUPLING is not accepted amplitude eccentricity and misalignment between one shaft and the other shaft. Therefore please arrange the shaft perfectly for protection of coupling and machinery.

Features

- Zero backlash
- Maintenance free and excellent resistance against oil and chemicals
- Light weight, extremely low inertia



Light weight, extremely low inertia

SRG - ■ ■ ■



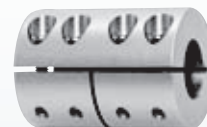
(SET SCREW TYPE)

SRG - ■ ■ ■ C



(CLAMP TYPE)

SRGL - ■ ■ ■ C



(LONG CLAMP TYPE)

Material : Aluminum Alloy

Surface Treatment : Alumite

How to order product

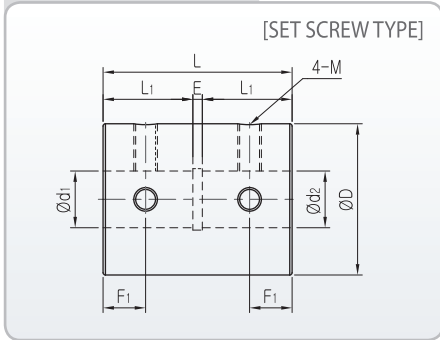


※ Please mark each inner diameter size.

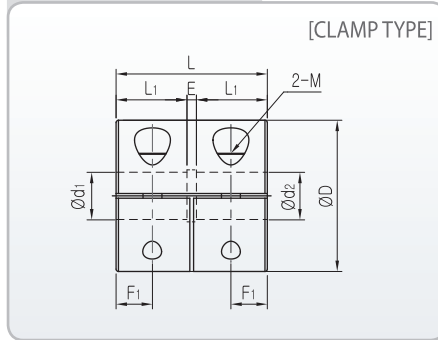
SRG Series

Miniature Rigid Coupling

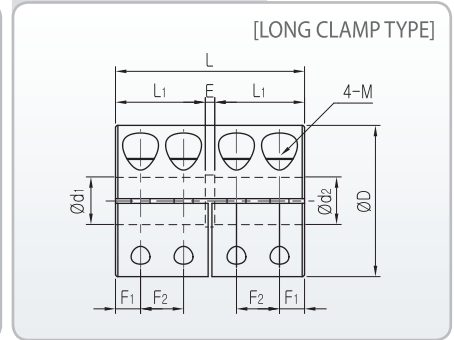
SRG - ■ ■ ■



SRG - ■ ■ ■ C



SRGL - ■ ■ ■ C



Standards & Performance

Product Number	Dimension ($\pm 0,3$)						Fastening Bolt M	Fastening Torque (N · m)	Max. RPM (min^{-1})	Max Torque (N · m)	Rated Torque (N · m)	Moment of Inertia ($\text{kg} \cdot \text{m}^2$)	Mass (g)
	D	L	L ₁	E	F ₁	F ₂							
SRG-16	16	22,5	10,3	2	5	-	M3	0,7	22,000	0,6	0,3	$3,7 \times 10^{-7}$	10
SRG-20	20	24	11	2	5,5	-	M3	0,7	18,000	1	0,5	$1,2 \times 10^{-6}$	20
SRG-25	25	35	16,5	2	7	-	M4	1,7	14,000	2	1	$3,6 \times 10^{-6}$	40
SRG-32	32	40	19	2	9	-	M5	4	12,000	4	2	$1,0 \times 10^{-5}$	71
SRG-43	43	52	25	2	12	-	M6	7	9,000	9	4,5	$4,6 \times 10^{-5}$	170
SRG-53	53	66	32	2	15,5	-	M8	15	6,000	22	11	$1,3 \times 10^{-4}$	360
SRG-16C	16	16	7	2	3,7	-	M2,6	1	9,500	0,6	0,3	$3,0 \times 10^{-7}$	8
SRG-20C	20	20	9	2	4,6	-	M2,6	1	7,000	1	0,5	$8,7 \times 10^{-7}$	15
SRG-25C	25	25	11,5	2	5,8	-	M3	1,7	6,000	2	1	$2,7 \times 10^{-6}$	29
SRG-32C	32	32	15	2	7,6	-	M4	3,5	4,700	4	2	$7,1 \times 10^{-6}$	50
SRG-43C	43	41	19,5	2	10	-	M5	8	4,000	9	4,5	$3,4 \times 10^{-5}$	130
SRG-53C	53	51	24,5	2	12,5	-	M6	13	3,000	22	11	$9,8 \times 10^{-5}$	260
SRGL-16C	16	22,5	10,3	2	3	5,4	M2,6	1	9,000	0,8	0,4	$3,4 \times 10^{-7}$	10
SRGL-20C	20	24	11	2	3,1	5,6	M2,6	1	7,000	1,2	0,6	$9,2 \times 10^{-7}$	18
SRGL-25C	25	35	16,5	2	4,7	7,6	M3	1,7	6,000	2,4	1,2	$3,4 \times 10^{-6}$	38
SRGL-32C	32	40	19	2	5,3	9,1	M4	3,5	4,500	4,8	2,4	$1,0 \times 10^{-5}$	70
SRGL-43C	43	52	25	2	7	11,5	M5	8	3,800	10	5	$4,2 \times 10^{-5}$	160
SRGL-53C	53	66	32	2	9	14,5	M6	13	2,800	24	12	$1,2 \times 10^{-4}$	340

- INNER diameter INCH type is also available
- Non standard inner diameter product is also available

- INNER diameter key type is also available
- Please ask us about inner diameter size before you order.

Standard Inner diameter

Product Number	Standard Inner diameter (d ₁ , d ₂) Standard INNER Diameter (mm)															
	3	4	5	6	8	10	11	12	14	15	16	18	20	22	24	25
SRG-16 / SRG-16C / SRGL-16C	●	●	●	●												
SRG-20 / SRG-20C / SRGL-20C		●	●	●	●	●										
SRG-25 / SRG-25C / SRGL-25C			●	●	●	●	●	●								
SRG-32 / SRG-32C / SRGL-32C				●	●	●	●	●	●	●						
SRG-43 / SRG-43C / SRGL-43C						●	●	●	●	●	●	●	●	●		
SRG-53 / SRG-53C / SRGL-53C								●	●	●	●	●	●	●	●	