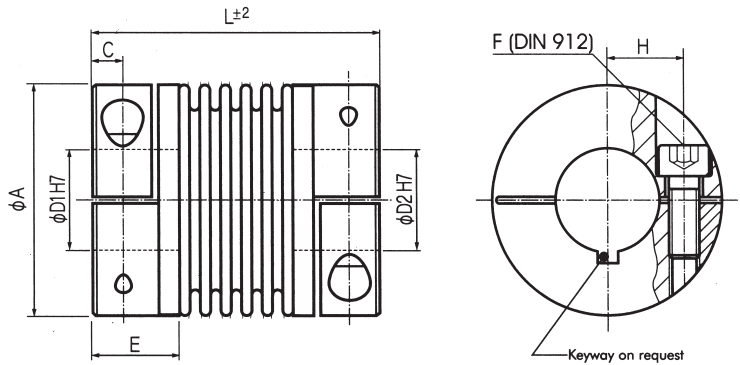


Metal Bellows Coupling

Metal Bellows Couplings : KBI Series



Order Code : **KB 4 / 60 - 89 - 12 - 32 - S**

Type / Size Length L Ø D1 (H7) Ø D2 (H7) Options

	Torque TKN (Nm)	Dimensions (mm)							Technical Ratings								
		L	Ø A	D1/D2	H	C	E	F	Mass (kg)	Moment of Inertia J (kg cm ²)	Spring Stiffness			Misalignment			max speed rpm
		Length (±2)	Outer (Ø)	Bore Sizes (H7)				Screw (DIN 912) T _A (Nm)			torsional C _T (Nm/rad)	radial C _R (N/mm)	axial C _A (N/mm)	radial ΔK _r (mm)	axial ΔK _a (mm)	angular ΔK _w (°)	
KB4/18	18	63	45	10-25.4	17	5.5	19.5	M5	0.1	0.04	20	205	50	0.2	0.5	1.5	12800
		8						0.15	0.05	15	82	36	0.25	0.5	2	12800	
KB4/30	30	65	56	10-30	20	7.5	24.5	M6	0.3	0.15	38	720	50	0.15	0.6	1.5	10300
		15						0.32	0.16	28	225	28	0.25	1	2	10300	
KB4/60	60	79	66	12-32	23	10	29	M8	0.5	0.33	75	1150	90	0.15	0.6	1.5	8700
		40						0.6	0.36	50	340	50	0.25	1	2	8700	
KB4/80	80	91	82	14-42	28	11	33.5	M10	2.3	2	128	1200	80	0.2	0.5	1.5	6900
		72						2.4	2.1	75	400	50	0.25	0.8	2	6900	
KB4/150	150	91	82	19-42	28	11	33.5	M10	2.3	2	155	2020	145	0.2	0.5	1.5	6900
		84						2.4	2.1	105	595	85	0.25	0.5	2	6900	
KB4/200	200	101	90	22-45	31	13	38	M12	2.6	3.3	175	2500	145	0.2	0.5	1.5	6400
		125						2.7	3.5	120	460	82	0.25	0.8	2	6400	
KB4/300	300	105	110	30-60	39	13	38	M12	3.6	7.3	502	6300	280	0.2	0.5	1.5	6000
		145						3.7	7.5	285	1400	145	0.25	0.8	2	6000	
KB4/500	500	112	122	35-65	42	15	42	M12	5.1	12.4	690	7790	100	0.2	0.5	1.5	5000
		145						5.2	12.7	320	970	85	0.25	1	2	5000	

Material: Bellows - Stainless Steel
 Hub (KB4/18, KB4/30, KB4/60) Aluminium (also available in Stainless Steel)
 Hub (KB4/80, KB4/150, KB4/200, KB4/300, KB4/500) Steel (also available in Stainless Steel)

Temperature Range: -30° ~ 120° C