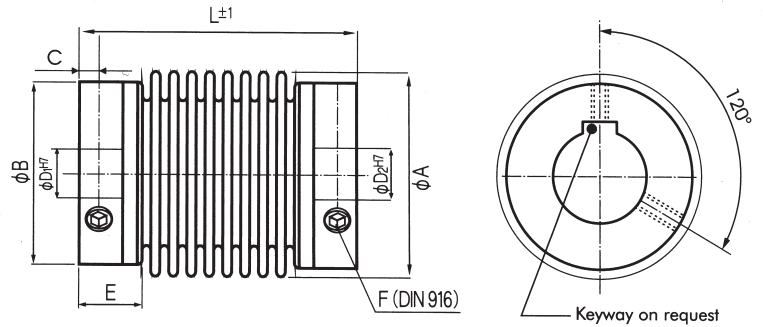


Metal Bellows Coupling

Metal Bellows Couplings : KBI Series



Order Code : **KB 1 / 45 - 40 - 10 - 18 - S**

Type / Size      Length L      Ø D1 (H7)      Ø D2 (H7)      Options

	Torque TKN (Nm)	Dimensions (mm)							Technical Ratings								
		L	Ø A	D1/D2	Ø B	C	E	F	Mass (g)	Moment of Inertia J (g cm <sup>2</sup> )	Spring Stiffness			Misalignment			
		Length (±1)	Outer (Ø)	Bore Sizes (H7) min ~ max	Hub Ø	Hub- Length	Screw (DIN 916) TA (Nm)	torsional C <sub>T</sub> (Nm/rad)			radial C <sub>R</sub> (N/mm)	axial C <sub>A</sub> (N/mm)	radial ΔK <sub>r</sub> (mm)	axial ΔK <sub>a</sub> (mm)	angular ΔK <sub>w</sub> (°)		
<b>KB1/1</b>	0.1	23	10	1-4 3*	10	2	6	M3 0.5	3	0.45	65	10	14	0.12	0.2	1.2	
<b>KB1/5</b>	0.5	19	15	3-8 6*	13.5	2	6	M3 0.5	4	1.3	260	43	13	0.1	0.2	1	
		23							4.5	1.5	200	18	10	0.15	0.3	1.5	
		27							5	1.6	160	9	8	0.2	0.4	2	
<b>KB1/10</b>	1	21	15	3-8 6*	13.5	2	6	M3 0.5	5.5	1.8	510	74	27	0.1	0.2	1	
		25							6	2	380	31	20	0.15	0.3	1.5	
		29							7	2.3	310	16	16	0.2	0.4	2	
<b>KB1/15</b>	1.5	26	19	3-12 6*	19	3	8	M4 1.5	10	6	750	59	15	0.1	0.3	1.5	
		30							12	7.4	700	20	9	0.15	0.4	2	
<b>KB1/20</b>	2	22	24	3-14 6/10*	21.5	3	6	M4 1.5	11	9.2	1500	67	12	0.15	0.3	1.5	
		28							13	12.6	1300	21	11	0.2	0.4	1.5	
		32							15	13.5	1050	11	9	0.25	0.5	2	
<b>KB1/45</b>	4.5	40	32	6-18 10*	29	4	12	M6 3	44	68	6500	168	32	0.1	0.3	1.5	
		48							50	79	4200	41	20	0.2	0.5	2	
<b>KB1/100</b>	10	45	40	6-24 10*	36	4	12	M6 3	60	150	8100	120	27	0.15	0.4	1.5	
		55							79	210	6800	29	17	0.3	0.6	2	

\* Standard Bore Sizes (H7)

- ⊙ Speed: max. 15000 min<sup>-1</sup>
- ⊙ Hub: Bore Tolerance: H7      Keyway acc. DIN 6885 optional
- ⊙ Material: Bellows - Stainless Steel  
Hub - Aluminium (also available in Stainless Steel)
- ⊙ Temperature Range: -30° ~ 120° C