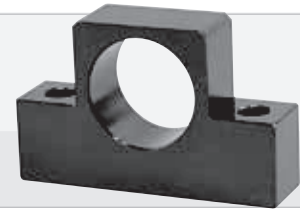
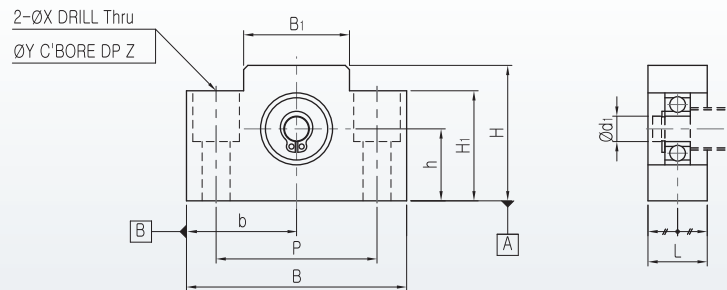


EF Type Support Unit

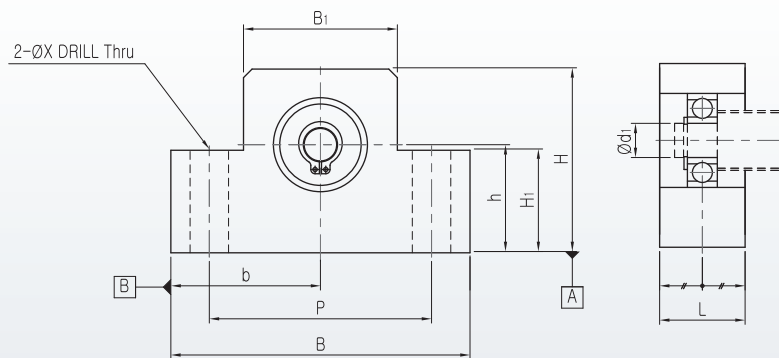
Angle Type for Support



EF 6 ~ 8

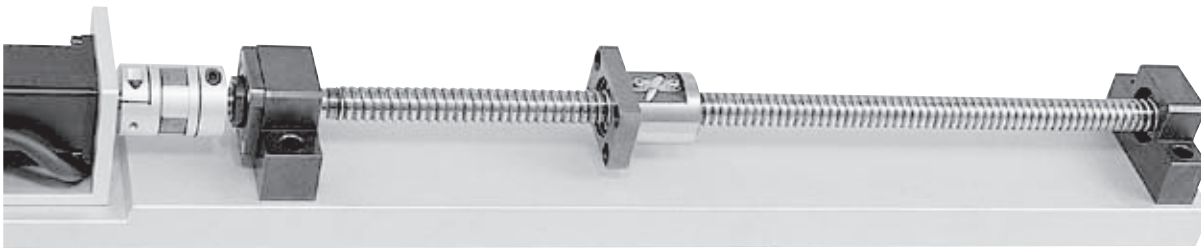


EF 10 ~ 25



Note

1. Installation can be conducted based on the surface of A and B. Please, use the spacer of accurate size when adjustment of height or length is necessary.



Unit : mm

Model No.	d _i	L	B	H	b±0,02	h±0,02	B ₁	H ₁	P	X	Y	Z	Mess(g)	Bearing	Snap Ring
EF6	6	12	42	25	21	13	18	20	30	5,5	9,5	11	60	606ZZ	C6
EF8	6	14	52	32	26	17	25	26	38	6,6	11	12	120	606ZZ	C6
EF10	8	20	70	43	35	25	36	24	52	9	-	-	300	608ZZ	C8
EF12	10	20	70	43	35	25	36	24	52	9	-	-	280	6000ZZ	C10
EF15	15	20	80	50	40	30	41	25	60	9	-	-	320	6002ZZ	C15
EF20	20	26	95	58	47,5	30	56	25	75	11	-	-	570	6204ZZ	C20
EF25	25	30	105	68	52,5	35	66	25	85	11	-	-	880	6205ZZ	C25