



180W (1/4 HP)

INDUCTION MOTORS Frame size 90mm sq. (3.54 in. sq.)GillSans Bold

Single-Phase

LEAD WIRE TYPE

SPECIFICATIONS

CONTINUOUS DUTY, INSULATION CLASS A or E, 4POLES

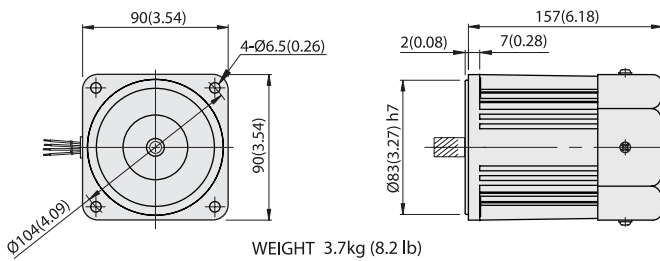
Model	Output		Voltage (V)	Frequency (Hz)	Rated						Starting Torque			Capacitor (μ F)
	(HP)	(W)			Input (W)	Current (A)	Torque			Speed (rpm)	(kg-cm)	(N-m)	(oz-in)	
							(kg-cm)	(N-m)	(oz-in)					
L9I180□C	1/4	180	1 \varnothing 100	50	340	3.30	13.5	1.323	187.47	1300	7.7	0.755	106.93	30
60				340	3.20	11	1.078	152.76	1600	7.7	0.755	106.93		
L9I180□D	1/4	180	1 \varnothing 200	50	340	1.75	13.5	1.323	187.47	1300	8	0.784	111.10	8
60				340	1.65	11	1.078	152.76	1600	8	0.784	111.10		
L9I180□B	1/4	180	1 \varnothing 220	60	370	1.5	11	1.078	152.76	1600	7.7	0.755	106.93	7
L9I180□E	1/4	180	1 \varnothing 115	60	340	2.7	11	1.078	152.76	1600	7.7	0.755	106.93	25
L9I180□X	1/4	180	1 \varnothing 220~240	50	330	1.3	13.5	1.328	187.47	1300	8	0.784	111.10	7

- * Model in grey screen represents the motors with THERMALLY PROTECTED according to UL regulation.
- * Model in dark grey screen represents the motors with THERMALLY PROTECTED according to CE regulation.
- * In case of some models certificated for export, the special cord like CE or UL is added after the existing model no. ex) L9I60□XH-CE, L9I60□EH-UL.
- * Insulation class for motors which acquired certificates for export is B.

DIMENSIONS

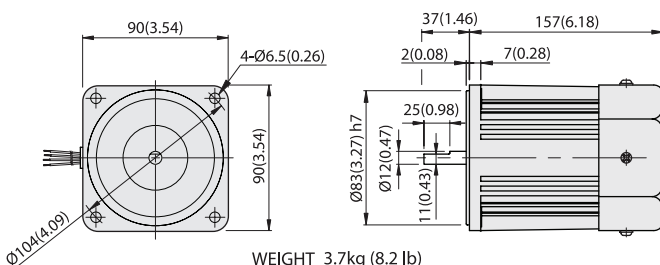
L9I180P□H

Unit : mm(inch)



WEIGHT 3.7kg (8.2 lb)

L9I180D□

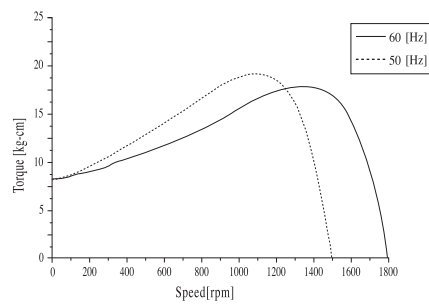


WEIGHT 3.7kg (8.2 lb)

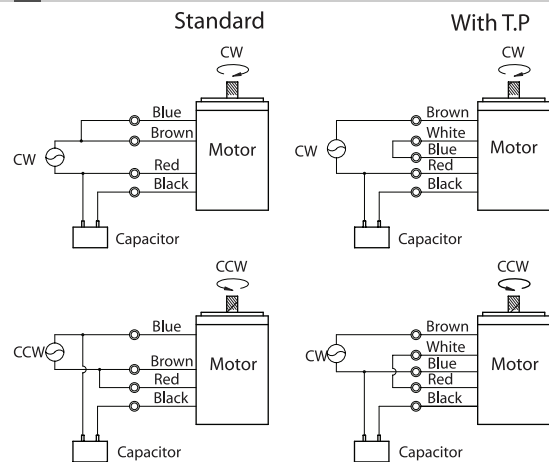


SPEED-TORQUE CURVE

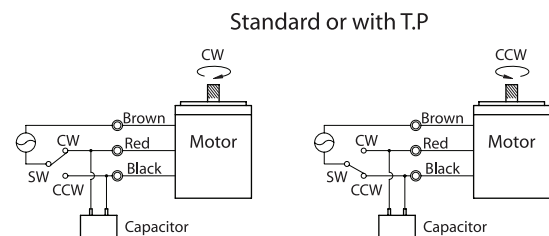
Single phase L9I180□□



CONNECTION DIAGRAMS (4-lead wire type)



CONNECTION DIAGRAMS (3-lead wire type)



The direction of rotation is seen from the end of motor shaft.