



6W (1/124 HP)

INDUCTION MOTORS Frame size 61mm sq. (2.4 in.sq.)

Single-Phase

LEAD WIRE TYPE

SPECIFICATIONS

CONTINUOUS DUTY, INSULATION CLASS A or E, 4POLES

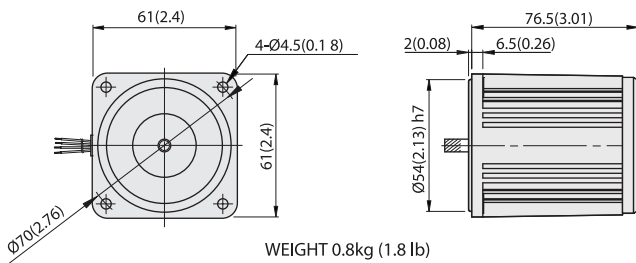
| Model | Output | | Voltage (V) | Frequency (Hz) | Rated | | | | | Starting Torque | | | Capacitor (μF) | |
|--------|--------|-----|-------------|----------------|-----------|-------------|--------|-------|------|-----------------|---------|-------|----------------|---------|
| | (HP) | (W) | | | Input (W) | Current (A) | Torque | | | Speed (rpm) | (kg-cm) | (N-m) | | (oz-in) |
| L616□C | 1/124 | 6 | 1∅100 | 50 | 23 | 0.22 | 0.47 | 0.046 | 6.53 | 1250 | 0.46 | 0.045 | 6.39 | 3 |
| | | | | 60 | 23 | 0.2 | 0.38 | 0.037 | 5.28 | 1550 | 0.46 | 0.045 | 6.39 | |
| L616□D | 1/124 | 6 | 1∅200 | 50 | 23 | 0.11 | 0.47 | 0.046 | 6.53 | 1250 | 0.46 | 0.045 | 6.39 | 0.8 |
| | | | | 60 | 23 | 0.11 | 0.38 | 0.037 | 5.28 | 1550 | 0.46 | 0.045 | 6.39 | |
| L616□B | 1/124 | 6 | 1∅220 | 60 | 30 | 0.12 | 0.38 | 0.037 | 5.28 | 1550 | 0.47 | 0.046 | 6.53 | 0.7 |
| L616□E | 1/124 | 6 | 1∅115 | 60 | 30 | 0.22 | 0.38 | 0.037 | 5.28 | 1550 | 0.45 | 0.044 | 6.25 | 2.5 |
| L616□X | 1/124 | 6 | 1∅220~240 | 50 | 30 | 0.12 | 0.47 | 0.046 | 6.53 | 1250 | 0.45 | 0.044 | 6.25 | 0.7 |

- * Model in grey screen represents the motors with IMPEDANCE PROTECTED according to UL regulation.
- * Model in dark grey screen represents the motors with IMPEDANCE PROTECTED according to CE regulation.
- * In case of some models certificated for export, the special cord like CE or UL is added after the existing model no. ex) L9160 □XH-CE, L9160 □EH-UL.
- * Insulation class for motors which acquired certificates for export is B.

DIMENSIONS

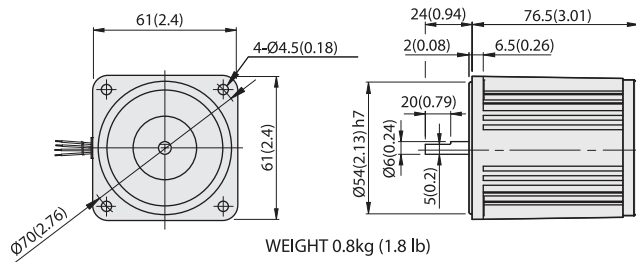
Unit : mm(inch)

L616P□L



WEIGHT 0.8kg (1.8 lb)

L616D□

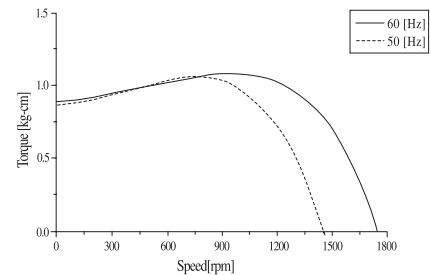


WEIGHT 0.8kg (1.8 lb)

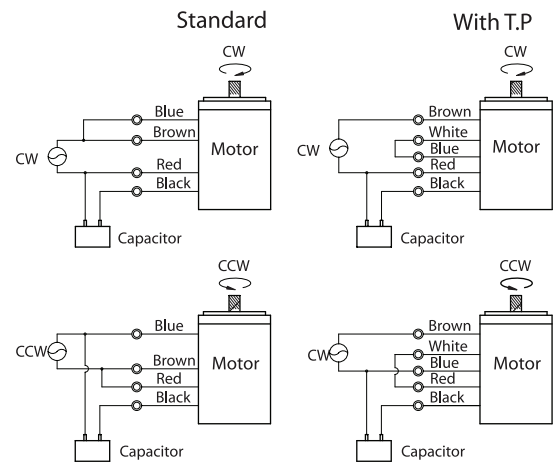


SPEED-TORQUE CURVE

Single phase L616□□

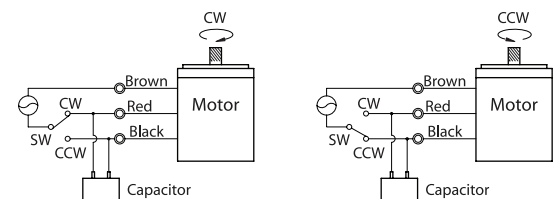


CONNECTION DIAGRAMS (4-lead wire type)



CONNECTION DIAGRAMS (3-lead wire type)

Standard or with T.P



The direction of rotation is seen from the end of motor shaft.