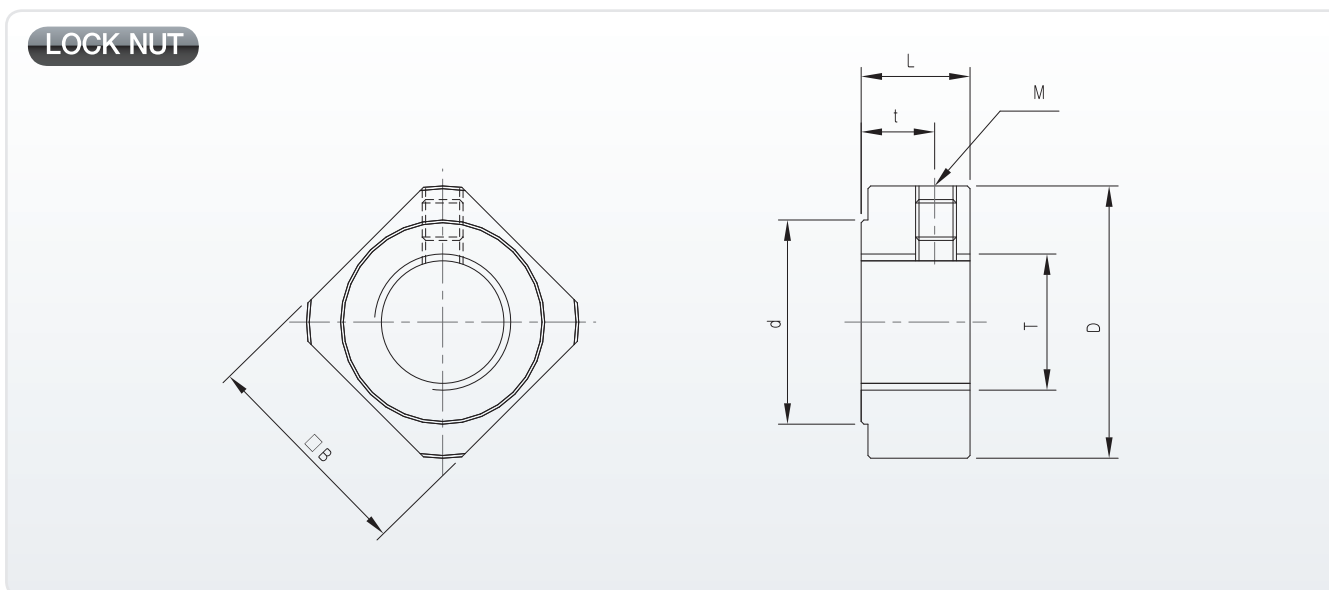


Lock Nut



Note

1. Locknut can be used by connecting ball screw to bearing with high accuracy.
2. The set piece connected to the stop screw ensures tight connection while preventing locknut from being loosened.



Unit : mm

Model No.	T	M	D	d	L	t	□B	Attachment Torque (Reference) (kgf.cm)
RN4	M4×0,5	M3×0,5	11	8,5	5	2,7	10	16
RN5	M5×0,5	M3×0,5	13	9	5	2,7	11	20
RN6	M6×0,75	M3×0,5	14,5	10	5	2,7	12	25
RN8	M8×1	M3×0,5	17	13	6,5	4	14	50
	★ M8×0,75							
RN10	M10×1	M4×0,7	20	15	8	5,5	16	95
	★ M10×0,75							
RN12	M12×1	M4×0,7	22	17	8	5,5	19	140
RN15	M15×1	M4×0,7	25	21	8	4,5	22	240
RN17	M17×1	M4×0,7	30	25	13	9	24	350
RN20	M20×1	M4×0,7	35	26	11	7	30	480
RN25	M25×1,5	M5×0,8	43	33	15	10	35	860
RN30	M30×1,5	M6×1	48	39	20	14	40	1,280
RN35	M35×1,5	M8×1,25	60	46	21	14	50	1,920
RN40	M40×1,5	M8×1,25	63	51	25	18	50	2,560

※ The product marked ★ is order specification.