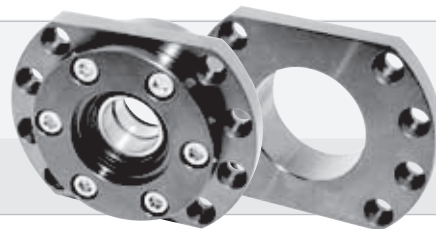
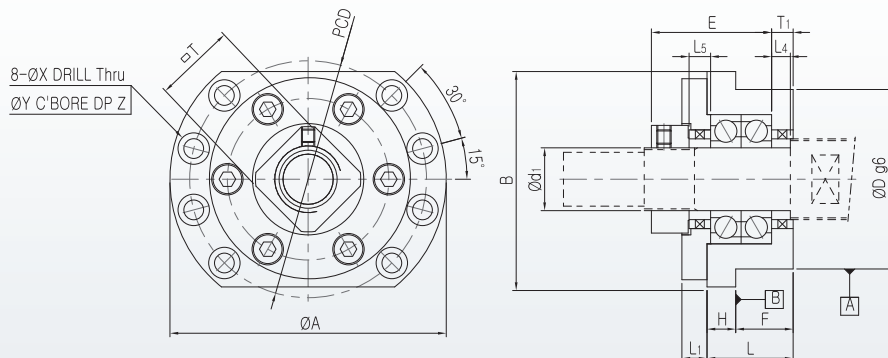


# FK/FF Type Support Unit

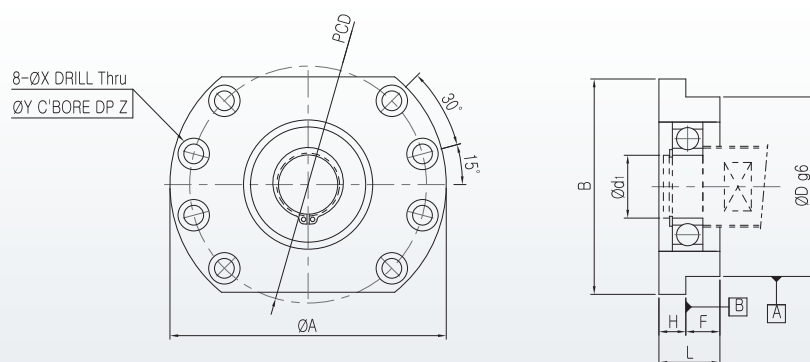
## Round Type for Fixture



### FK 35 ~ 40



### FF 35 ~ 40



### Note

1. Installation can be conducted based on the surface of A and B. Please, use the spacer of accurate size when adjustment of height or length is necessary.
2. It is not allowed to disassemble the support unit as the preload of the bearing has been already controlled.
3. Precise amount of grease is filled in the support unit.
4. Tighten the setscrew after connecting the locknut to ball screw and performing adjustment.
5. Please refer to page 55 about bearing type and characteristic according to Support Unit grade
6. Please refer to page 60 about attachment torque of the lock nut.

Unit : mm

Model No.	d <sub>1</sub>	L	H	F	E	D	A	PCD	B	L <sub>1</sub>	T <sub>1</sub>	X	Y	Z	Collar Size		□ T	Mess(g)
															L <sub>4</sub>	L <sub>5</sub>		
FK35	35	48	16	32	67	100	154	132	120	14	12	11	17,5	11	12	12	50	4080
FK40	40	61	18	43	76	120	176	150	128	18	16	14	20	13	15	15	50	6750

Unit : mm

Model No.	d <sub>1</sub>	L	H	F	D	A	PCD	B	X	Y	Z	Bearing	Snap Ring	Mess(g)
FF35	35	34	15	19	100	154	132	120	11	17,5	11	6207ZZ	C35	2050
FF40	40	36	18	18	120	176	150	128	14	20	13	6208ZZ	C40	3050