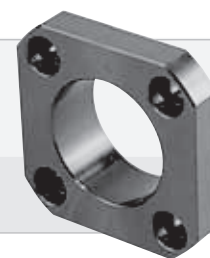


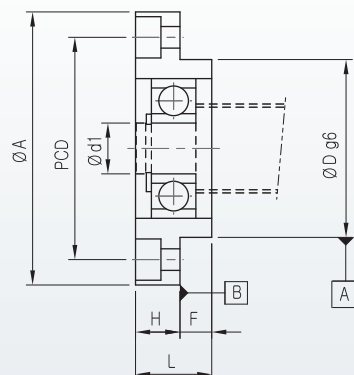
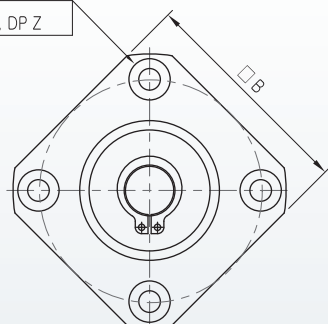
FF Type Support Unit

Round Type for Support



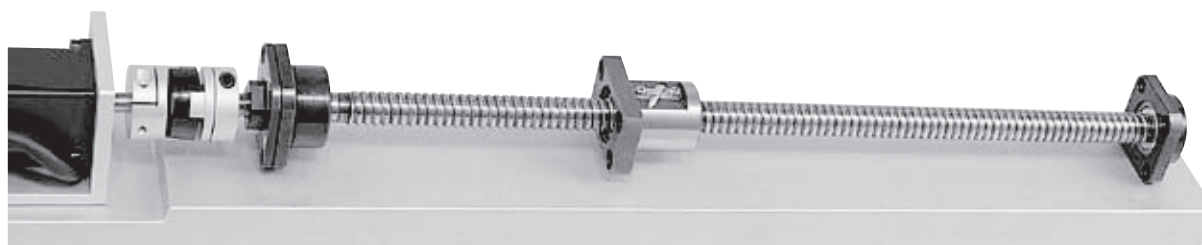
FF 6 ~ 30

4-ØX DRILL, THRU
ØY C'BORE, DP Z



Note

1. Installation can be conducted based on the surface of A and B. Please, use the spacer of accurate size when adjustment of height or length is necessary.



Unit : mm

Model No.	d _i	L	H	F	D	A	PCD	B	X	Y	Z	Mess(g)	Bearing	Snap Ring
FF6-8	6	10	6	4	22	36	28	28	3,4	6,5	3	30	606ZZ	C6
FF10	8	12	7	5	28	43	35	35	3,4	6,5	4	60	608ZZ	C8
FF12	10	15	7	8	34	52	42	42	4,5	8	4	100	6000ZZ	C10
FF15	15	17	9	8	40	63	50	52	5,5	9,5	5,5	140	6002ZZ	C15
FF17	17	20	11	9	50	77	62	61	6,5	11	6,5	290	6203ZZ	C17
FF20	20	20	11	9	57	85	70	68	6,6	11	6,5	380	6204ZZ	C20
FF25	25	24	14	10	63	98	80	79	9	14	8,5	590	6205ZZ	C25
FF30	30	27	18	9	75	117	95	93	11	17,5	11	930	6206ZZ	C30