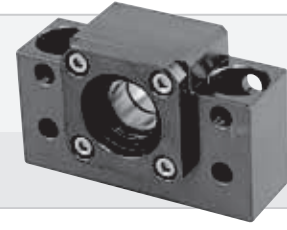
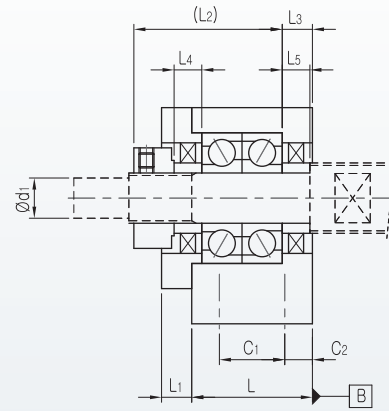
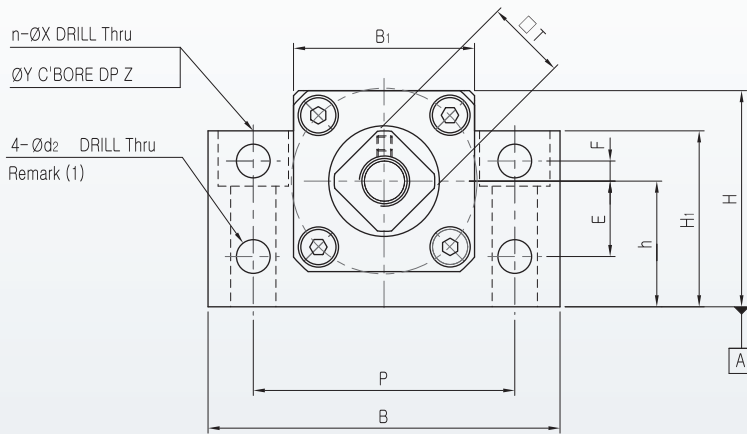


AK Type Support Unit

Angle Type for Fixture



AK 8 ~ 20



Remark (1) : AK20 is no Hole

Note

1. Installation can be conducted based on the surface of A and B. Please, use the spacer of accurate size when adjustment of height or length is necessary.
2. It is not allowed to disassemble the support unit as the preload of the bearing has been already controlled.
3. Precise amount of grease is filled in the support unit.
4. Tighten the setscrew after connecting the locknut to ball screw and performing adjustment.
5. Please refer to page 55 about bearing type and characteristic according to Support Unit grade
6. Please refer to page 60 about attachment torque of the lock nut.

Unit : mm

| Model No. | d_1 | L | L_1 | L_2 | L_3 | B | H | $h \pm 0.02$ | B_1 | H_1 | E | F | P | C_1 | C_2 | d_2 | n | X | Y | Z | Collar Size | | $\square T$ | Mess(g) |
|-----------|-------|----|-------|-------|-------|----|----|--------------|-------|-------|----|---|----|-------|-------|-------|---|-----|----|----|-------------|-------|-------------|---------|
| | | | | | | | | | | | | | | | | | | | | | L_4 | L_5 | | |
| AK8 | 8 | 20 | 3 | 24 | 4 | 52 | 32 | 17 | 25 | 26 | 10 | 4 | 38 | - | 10 | 5,5 | 2 | 6,6 | 11 | 12 | 4 | 4 | 14 | 190 |
| AK10 | 10 | 24 | 6 | 29,5 | 6 | 70 | 43 | 25 | 36 | 35 | 15 | 4 | 52 | - | 12 | 6,6 | 2 | 9 | 14 | 11 | 5,5 | 5,5 | 16 | 450 |
| AK12 | 12 | 24 | 6 | 29,5 | 6 | 70 | 43 | 25 | 36 | 35 | 15 | 4 | 52 | - | 12 | 6,6 | 2 | 9 | 14 | 11 | 5,5 | 5,5 | 19 | 440 |
| AK15 | 15 | 25 | 6 | 36 | 5 | 80 | 50 | 30 | 41 | 40 | 15 | 4 | 60 | - | 12,5 | 6,6 | 2 | 11 | 17 | 15 | 10 | 10 | 22 | 570 |
| AK20 | 20 | 42 | 10 | 50 | 10 | 95 | 58 | 30 | 56 | 45 | - | - | 75 | 22 | 10 | - | 4 | 11 | 17 | 15 | 11 | 11 | 30 | 1400 |